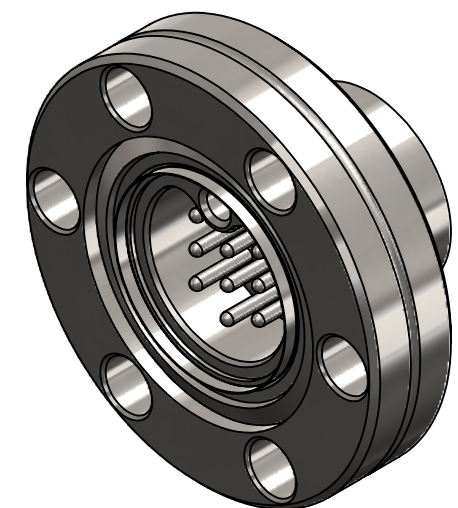


4

3

2

1

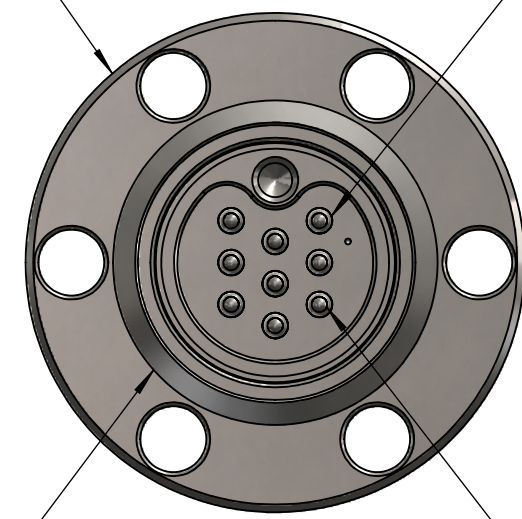


ISOMETRIC VIEW
FOR REF. ONLY

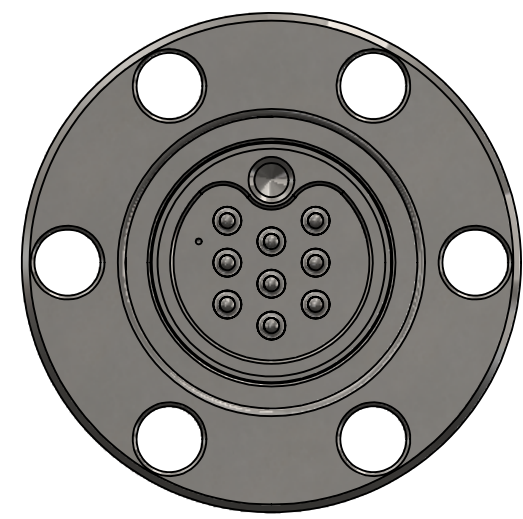
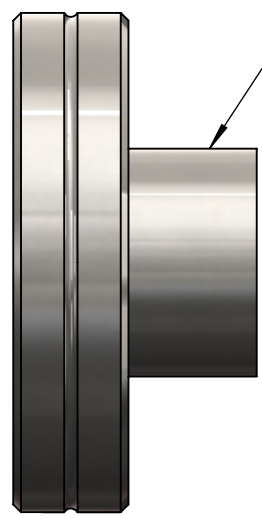
304L SS CF FLANGE

PROPRIETARY CERAMIC SEAL

304L SS ALLOY SHELL



VACUUM SIDE



ATMOSPHERE SIDE

O-RING GROOVE

9X BERYLLIUM-COPPER ALLOY CONTACTS,
GOLD PLATED PER ASTM B488-01, TYPE II
(MULTIPLE CONTACT CONFIGURATIONS AVAILABLE)

NOTES

1. LEAK RATE: 2×10^{-10} CC/SEC He AT ONE ATM
2. LASER WELDED ASSEMBLY
3. HERMETIC CERAMIC SEAL FOR CONTACTS
4. TEMPERATURE RATING: -65°C TO 300°C
5. VOLTAGE: 750 AC RMS
6. CURRENT: 7 AMPS
7. COMPACT, FITS EASILY INTO COMPLEX ASSEMBLIES
8. ADAPTS TO DIFFERENT SIGNALS
9. MATING UHV CONNECTORS AND CABLES AVAILABLE

UNLESS OTHERWISE SPECIFIED:
DIMENSIONS ARE IN INCHES
TOLERANCES:
125 RMS SURFACE FINISH
ANGULAR .5° BEND .010 MAX
OUTSIDE R. .005 MAX INSIDE R
ONE PLACE DECIMAL ±.1
TWO PLACE DECIMAL ±.01
THREE PLACE DECIMAL ±.005
INTERPRET GEOMETRIC TOLERANCING
PER: IAW ASME Y14.5M-1994



TITLE:
**9 PIN VACUUM
FEEDTHRU**

PROPRIETARY AND CONFIDENTIAL
THE INFORMATION CONTAINED IN THIS
DRAWING IS THE SOLE PROPERTY OF
BCE INC. ANY REPRODUCTION IN PART
OR AS A WHOLE WITHOUT THE WRITTEN
PERMISSION OF BCE INC. IS PROHIBITED.

MATERIAL
SEE DWG
FINISH
SEE DWG
DO NOT SCALE DRAWING

SIZE B	DWG. NO. BCE10068	REV A
SCALE: 2:1		WEIGHT: -
		SHEET 1 OF 1

4

3

2

1

B

B

A

A