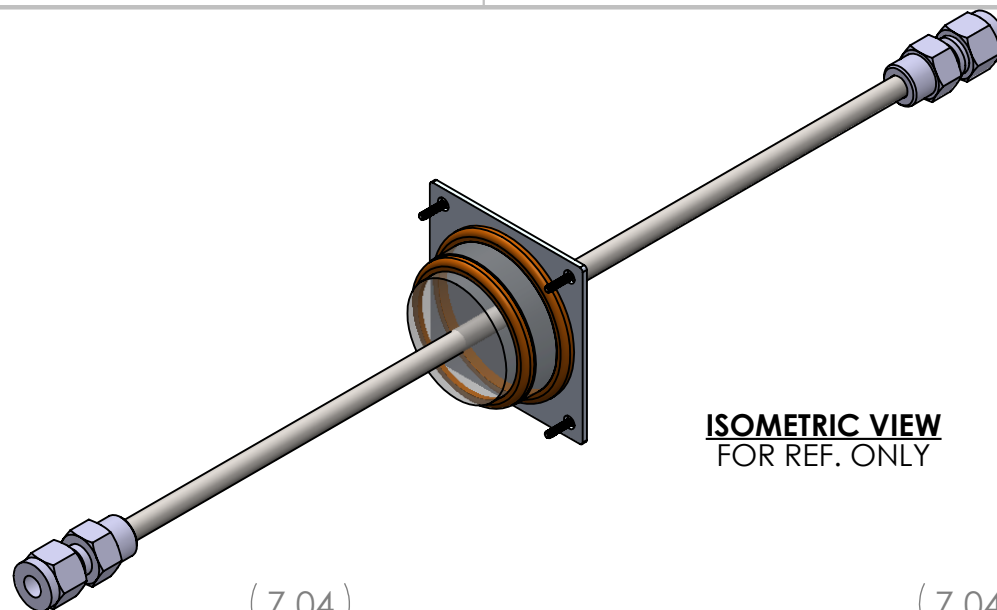


B

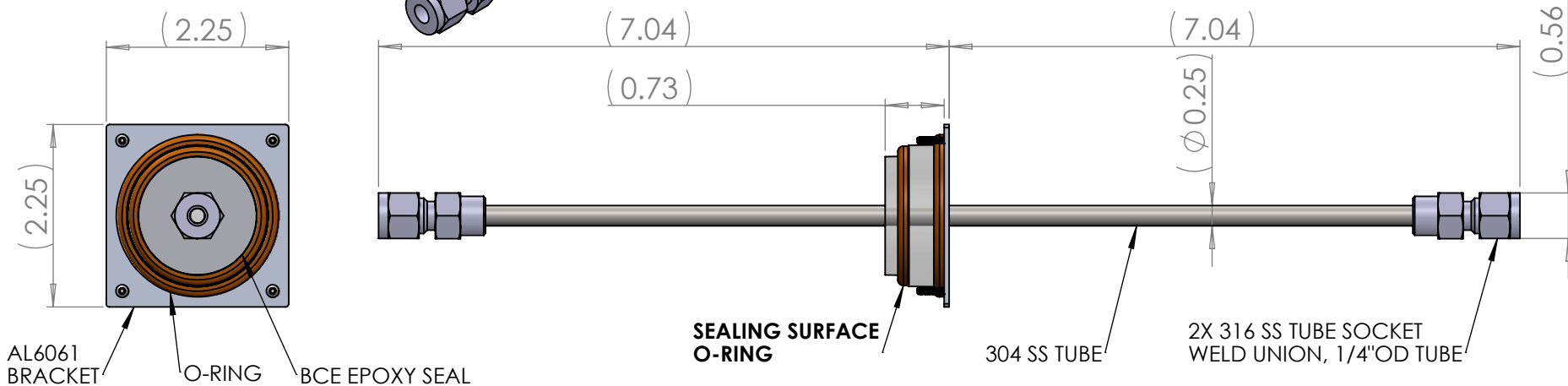
B

2

1



**ISOMETRIC VIEW**  
FOR REF. ONLY



SEALING SURFACE  
O-RING

304 SS TUBE

2X 316 SS TUBE SOCKET  
WELD UNION, 1/4" OD TUBE

AL6061  
BRACKET

O-RING

BCE EPOXY SEAL

### NOTES:

1. DESIGNED FOR DELIVERY OF LIQUIDS AND/OR GAS
2. MAXIMUM OPERATING TEMPERATURE: 150°C-200°C
3. OTHER OPTIONS AVAILABLE FOR:
  - FITTINGS
  - BCE EPOXY SEALING SHAPE
  - TUBE

#### PROPRIETARY AND CONFIDENTIAL

THE INFORMATION CONTAINED IN THIS DRAWING IS THE SOLE PROPERTY OF BELILOVE CO. ENGINEERS. ANY REPRODUCTION IN PART OR AS A WHOLE WITHOUT THE WRITTEN PERMISSION OF BELILOVE CO. ENGINEERS IS PROHIBITED.

UNLESS OTHERWISE SPECIFIED:

DIMENSIONS ARE IN INCHES  
TOLERANCES:  
FRACTIONAL ±  
ANGULAR: MACH ± BEND ±  
TWO PLACE DECIMAL ± .010  
THREE PLACE DECIMAL ± .005

INTERPRET GEOMETRIC  
TOLERANCING PER:

MATERIAL  
SEE DWG

FINISH  
N/A

DO NOT SCALE DRAWING

**BCE**

TITLE:

EPOXY SEALED  
FLUID FEEDTHRU,  
1/4" OD TUBE

SIZE

**A**

DWG. NO.

**BCE10021**

REV

**A**

SCALE: NTS

WEIGHT: N/A

SHEET 1 OF 1

A

2

1