

B

B

A

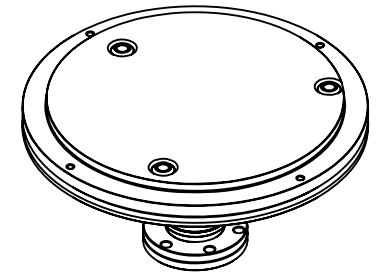
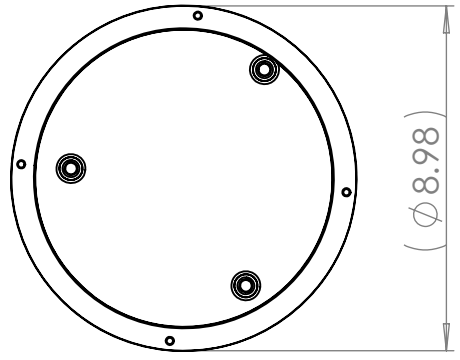
A

2

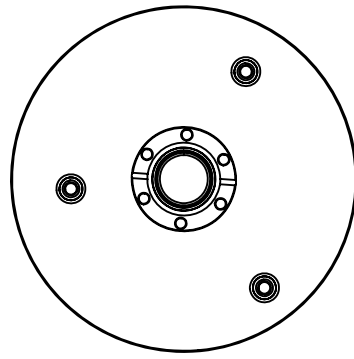
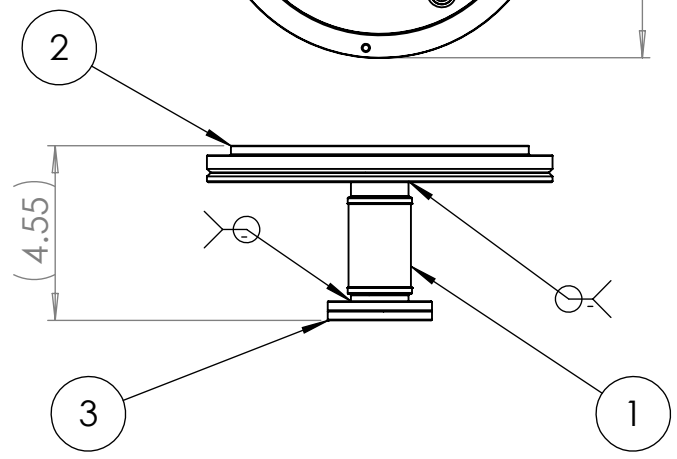
1

2

1



**ISOMETRIC VIEW
FOR REF. ONLY**



ITEM NO.	PART NUMBER	DESCRIPTION	QTY.
1		RF BREAK, SS304, ALUMINA	1
2	BCE10134	HEATER TOP, 200 MM, 3XX SERIES SS	1
3	BCE10135	2.75" CF FLANGE, SS304	1
4	BCE10133	HEATER, 1450W(\pm 10%), 240V	1

NOTES

1. REMOVE ALL BURRS AND SHARP EDGES
2. THIS DRAWING IS FOR REF. ONLY
3. 1450WATT (+/-10%), 240VOLT
4. HIGH PURITY CLEAN AND PACKAGE PER BCE SPEC

PROPRIETARY AND CONFIDENTIAL
 THE INFORMATION CONTAINED IN THIS DRAWING IS THE SOLE PROPERTY OF BCE INC. ANY REPRODUCTION IN PART OR AS A WHOLE WITHOUT THE WRITTEN PERMISSION OF BCE INC. IS PROHIBITED.

UNLESS OTHERWISE SPECIFIED:		NAME	DATE
DIMENSIONS ARE IN INCHES		DRAWN	9/27/17
TOLERANCES:		CHECKED	9/27/17
FRACTIONAL \pm		ENG APPR.	
ANGULAR: MACH \pm BEND \pm		MFG APPR.	
TWO PLACE DECIMAL \pm .010		Q.A.	
THREE PLACE DECIMAL \pm .005		COMMENTS:	
INTERPRET GEOMETRIC TOLERANCING PER:			
MATERIAL	SEE BOM		
FINISH	N/A		
DO NOT SCALE DRAWING			



TITLE:
**PEDESTAL HEATER ASSY,
 200 MM- HIGH TEMP**

SIZE	DWG. NO.	REV
A	BCE10141	A
SCALE: 1:5	WEIGHT: N/A	SHEET 1 OF 1