

4

3

2

1

ISOMETRIC VIEW  
FOR REF. ONLY

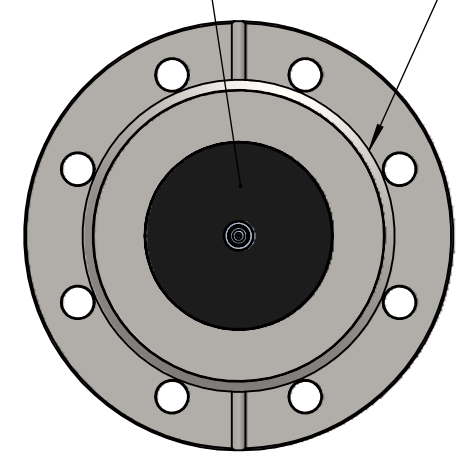
BCE EPOXY

O-RING GROOVE

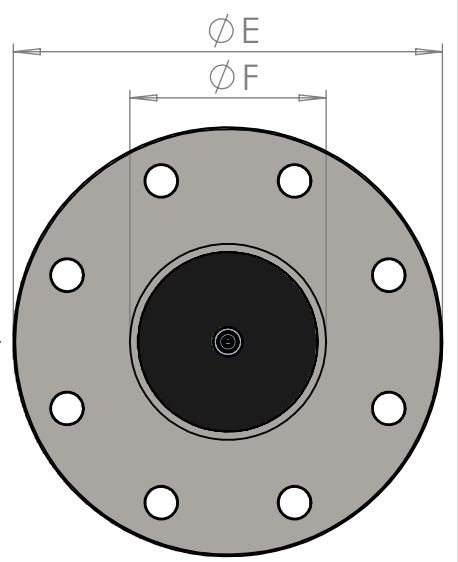
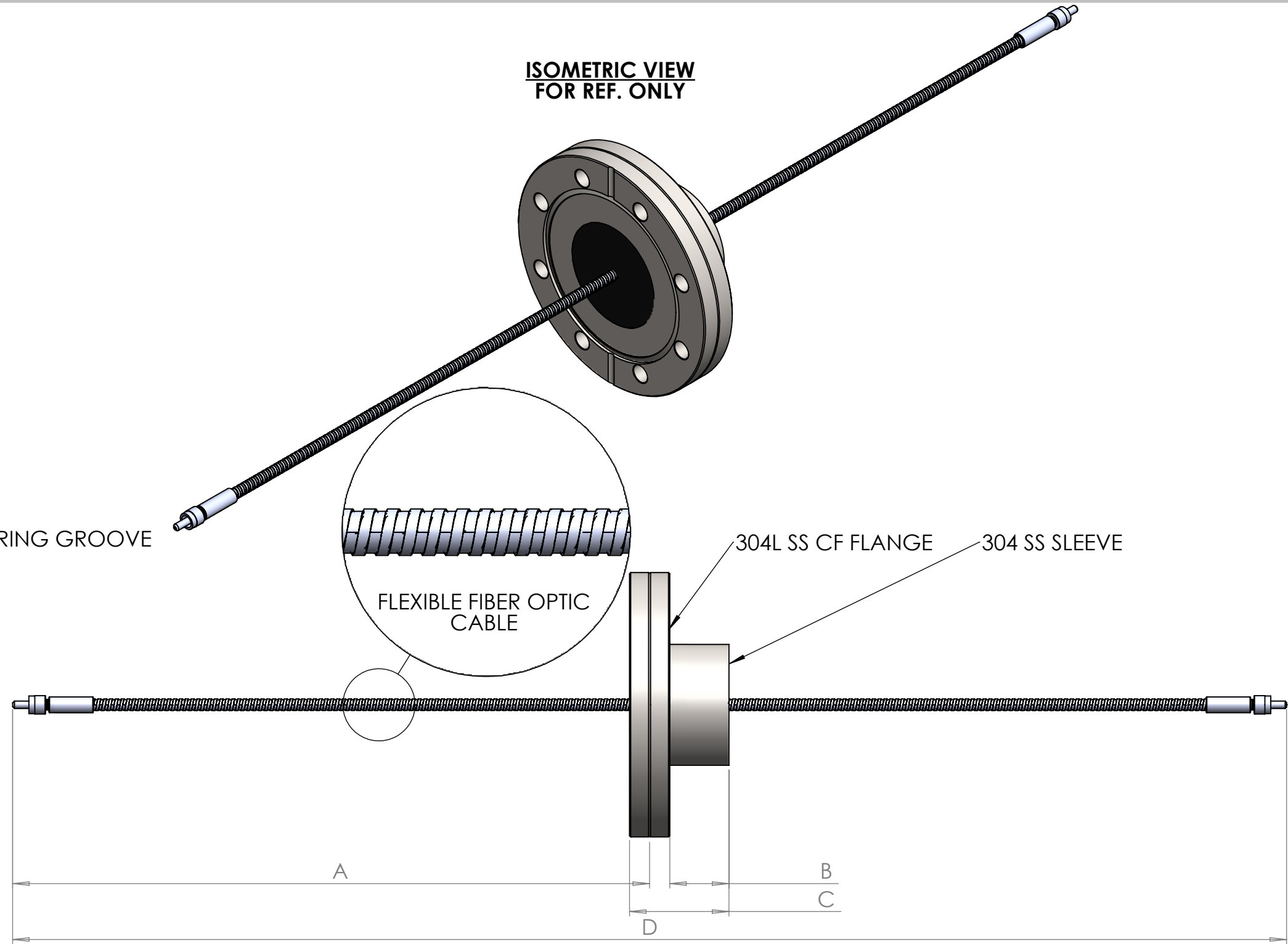
FLEXIBLE FIBER OPTIC  
CABLE

304L SS CF FLANGE

304 SS SLEEVE



VACUUM SIDE



ATMOSPHERE SIDE

**NOTES**

- 1. Continuous Operating Temperature: -55 °C to 200 °C
- 2. All Dimensions (A to E) are customer specified
- 3. Multiple material and component options available
- 4. BCE Epoxy:
  - a. Outgassing: meets NASA ASTM E595
  - b. Total Mass Loss (TML): <1.0%
  - c. Collected Volatile Condensable Materials: <0.1%
  - d. Dielectric Constant (1 KHz): 3.8

**PROPRIETARY AND CONFIDENTIAL**  
 THE INFORMATION CONTAINED IN THIS DRAWING IS THE SOLE PROPERTY OF BELILOVE CO. ENGINEERS. ANY REPRODUCTION IN PART OR AS A WHOLE WITHOUT THE WRITTEN PERMISSION OF BELILOVE CO. ENGINEERS IS PROHIBITED.

UNLESS OTHERWISE SPECIFIED:		NAME	DATE
DIMENSIONS ARE IN MILLIMETERS		DRAWN	F. SYED 2/15/17
TOLERANCES:		CHECKED	
FRACTIONAL ±		ENG APPR.	
ANGULAR: MACH ±		MFG APPR.	
BEND ±		Q.A.	
TWO PLACE DECIMAL ±		COMMENTS:	
THREE PLACE DECIMAL ±		THIS DRAWING IS FOR REFERENCE ONLY.	
INTERPRET GEOMETRIC TOLERANCING PER:		FINAL PRODUCT MAY DIFFER.	
MATERIAL		SEE DWG	
FINISH		SEE DWG	
DO NOT SCALE DRAWING			



TITLE:		
OPTIC CABLE FEEDTHRU		
SIZE	DWG. NO.	REV
<b>B</b>	BCE10016	<b>A</b>
SCALE: NTS	WEIGHT: N/A	SHEET 1 OF 1

4

3

2

1