

2

1

ISO VIEW  
FOR REF. ONLY  
NTS

4X KAPTON INSULATED LEAD WIRES,  
24 AWG

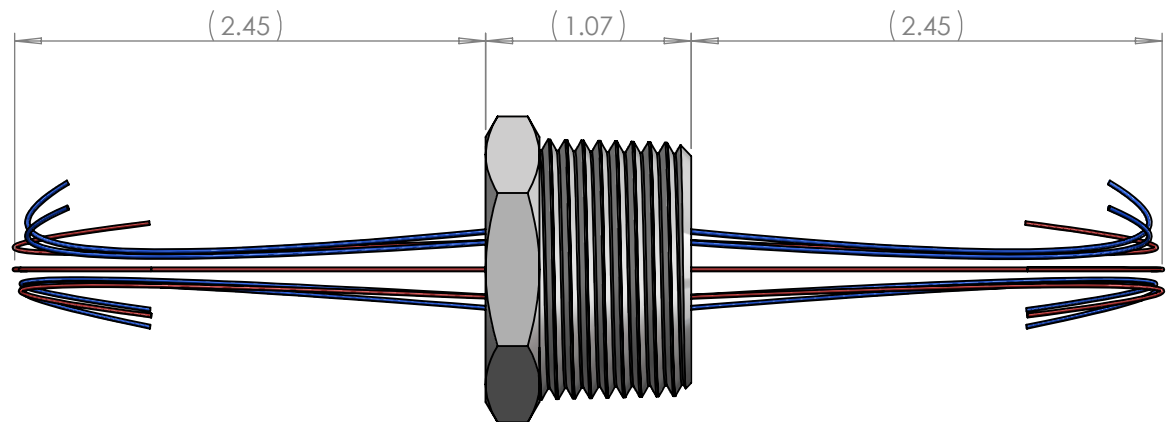
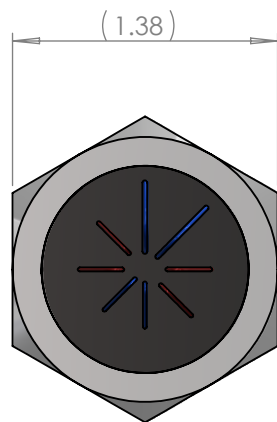
316 SS PLUG, 1" NPT

4X THERMOCOUPLE, TYPE K, 24 AWG,  
KAPTON INSULATED

BCE EPOXY SEAL

B

B



A

**NOTES**

1. VACUUM COMPATIBLE TO  $10^{-9}$  ATM.CC/SEC
2. MAX OPERATING TEMP.: 70°C
3. BCE PROPRIETARY EPOXY MEETS NASA ASTM E595 LOW OUTGASSING SPEC
4. CORROSION RESISTANT
5. ALL FEATURES, DIMENSIONS AND MATERIALS ARE CUSTOMIZABLE

UNLESS OTHERWISE SPECIFIED:

DIMENSIONS ARE IN INCHES  
 TOLERANCES:  
 FRACTIONAL ±  
 ANGULAR: MACH ± BEND ±  
 TWO PLACE DECIMAL ± .010  
 THREE PLACE DECIMAL ± .005

INTERPRET GEOMETRIC  
TOLERANCING PER:

**PROPRIETARY AND CONFIDENTIAL**  
 THE INFORMATION CONTAINED IN THIS  
 DRAWING IS THE SOLE PROPERTY OF  
 BCE INC. ANY REPRODUCTION IN PART  
 OR AS A WHOLE WITHOUT THE WRITTEN  
 PERMISSION OF BCE INC. IS PROHIBITED.

MATERIAL  
SEE DWG

FINISH  
N/A

DO NOT SCALE DRAWING



TITLE:

**PLUG  
FEEDTHROUGH**

SIZE

**A**

DWG. NO.

**BCE10141**

REV

**A**

SCALE: NTS

WEIGHT: N/A

SHEET 1 OF 1

2

1

A