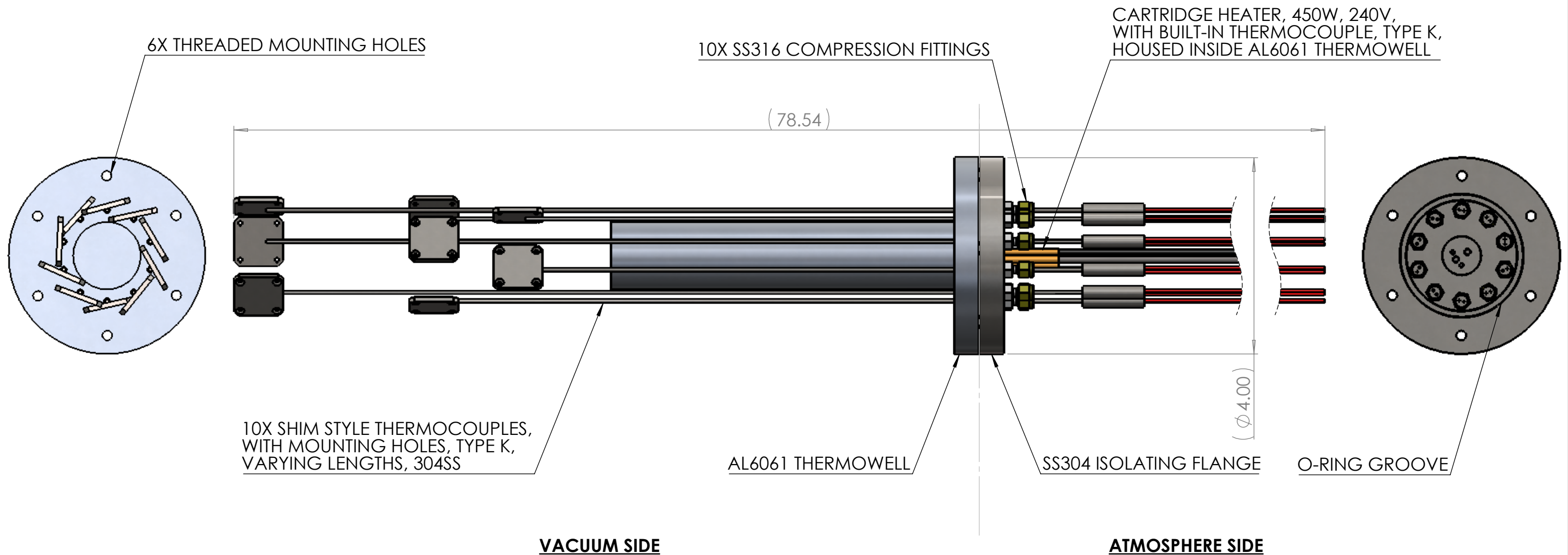


**EASY TO ADJUST AND REPLACE EMBEDDED THERMOCOUPLES
HIGH-TEMP, HIGH VACUUM APPLICATION
LASER WELDED ASSEMBLY**



NOTES

1. VACUUM COMPATIBLE UP TO 10^{-7} TORR
2. MAX OPERATING TEMP. UP TO: 400°C
3. OPERATING TEMPERATURE WILL VARY ACCORDING TO LEAD INSULATION MATERIAL CHOSEN FOR CARTRIDGE HEATER AND THERMOCOUPLES
4. ROBUST, LASER WELDED ASSEMBLY
5. THERMOCOUPLES CAN BE POSITIONED/REPLACED EASILY VIA THE COMPRESSION FITTINGS
6. ALL ITEMS/DIMENSIONS/MATERIALS SHOWN ARE CUSTOMIZABLE

UNLESS OTHERWISE SPECIFIED:		BCE	
DIMENSIONS ARE IN INCHES TOLERANCES: FRACTIONAL ± ANGULAR: MACH ± BEND ± TWO PLACE DECIMAL ± .010 THREE PLACE DECIMAL ± .005		TITLE: HIGH-TEMP VACUUM THERMOWELL ASSY	
INTERPRET GEOMETRIC TOLERANCING PER:		SIZE	DWG. NO.
MATERIAL SEE DWG		B	BCE10169
FINISH N/A		REV	A
DO NOT SCALE DRAWING		SCALE: NTS	WEIGHT: N/A
		SHEET 1 OF 1	

PROPRIETARY AND CONFIDENTIAL
THE INFORMATION CONTAINED IN THIS DRAWING IS THE SOLE PROPERTY OF BCE INC. ANY REPRODUCTION IN PART OR AS A WHOLE WITHOUT THE WRITTEN PERMISSION OF BCE INC. IS PROHIBITED.