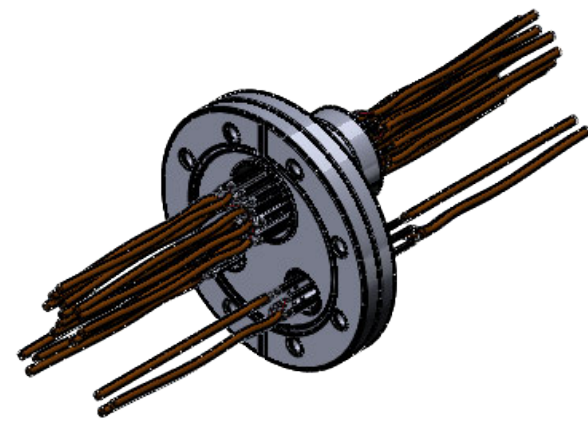


4

3

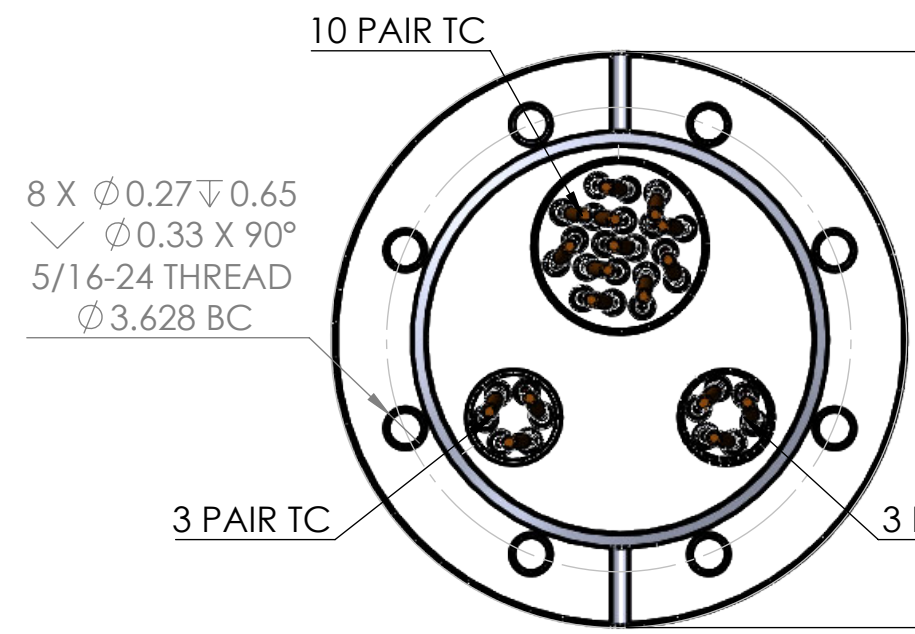
2

1



B

B

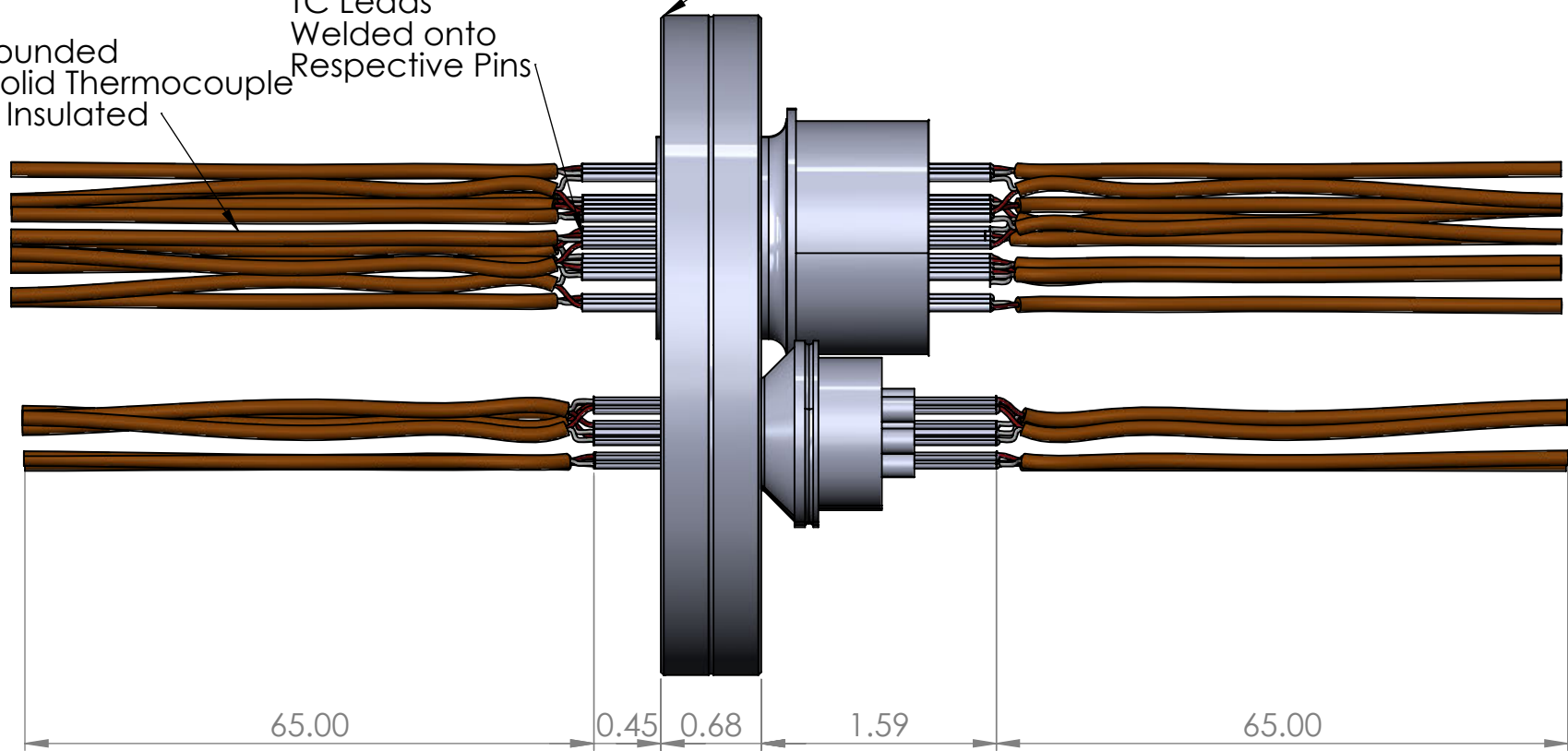


Vacuum Side

Type J Grounded
 20 AWG Solid Thermocouple
 Fiberglass Insulated

TC Leads
 Welded onto
 Respective Pins

304 SS CF FLANGE 4.5



A

A

NOTES:

1. Operating Temperature: -25C to 300C
2. Max Intermittent Temperature: 450 C
3. Vacuum Leak Rating: 10^{-9} ATM-CC/Sec

PROPRIETARY AND CONFIDENTIAL
 THE INFORMATION CONTAINED IN THIS DRAWING IS THE SOLE PROPERTY OF BELILOVE CO. ENGINEERS. ANY REPRODUCTION IN PART OR AS A WHOLE WITHOUT THE WRITTEN PERMISSION OF BELILOVE CO. ENGINEERS IS PROHIBITED.

UNLESS OTHERWISE SPECIFIED:		NAME	DATE
DIMENSIONS ARE IN INCHES		DRAWN	A.M
TOLERANCES:		CHECKED	
FRACTIONAL \pm		ENG APPR.	
ANGULAR: MACH \pm BEND \pm		MFG APPR.	
TWO PLACE DECIMAL ± 0.01		Q.A.	
THREE PLACE DECIMAL ± 0.005		COMMENTS:	
INTERPRET GEOMETRIC TOLERANCING PER:	MATERIAL	THIS DRAWING IS FOR REFERENCE ONLY.	
	SEE DWG	FINAL PRODUCT MAY DIFFER.	
FINISH	SEE DWG		
DO NOT SCALE DRAWING			



TITLE:		
16 TC PAIR FEEDTHROUGH		
SIZE	DWG. NO.	REV
B	BCE10599	-
SCALE: NTS	WEIGHT: N/A	SHEET 1 OF 1

4

3

2

1