

4

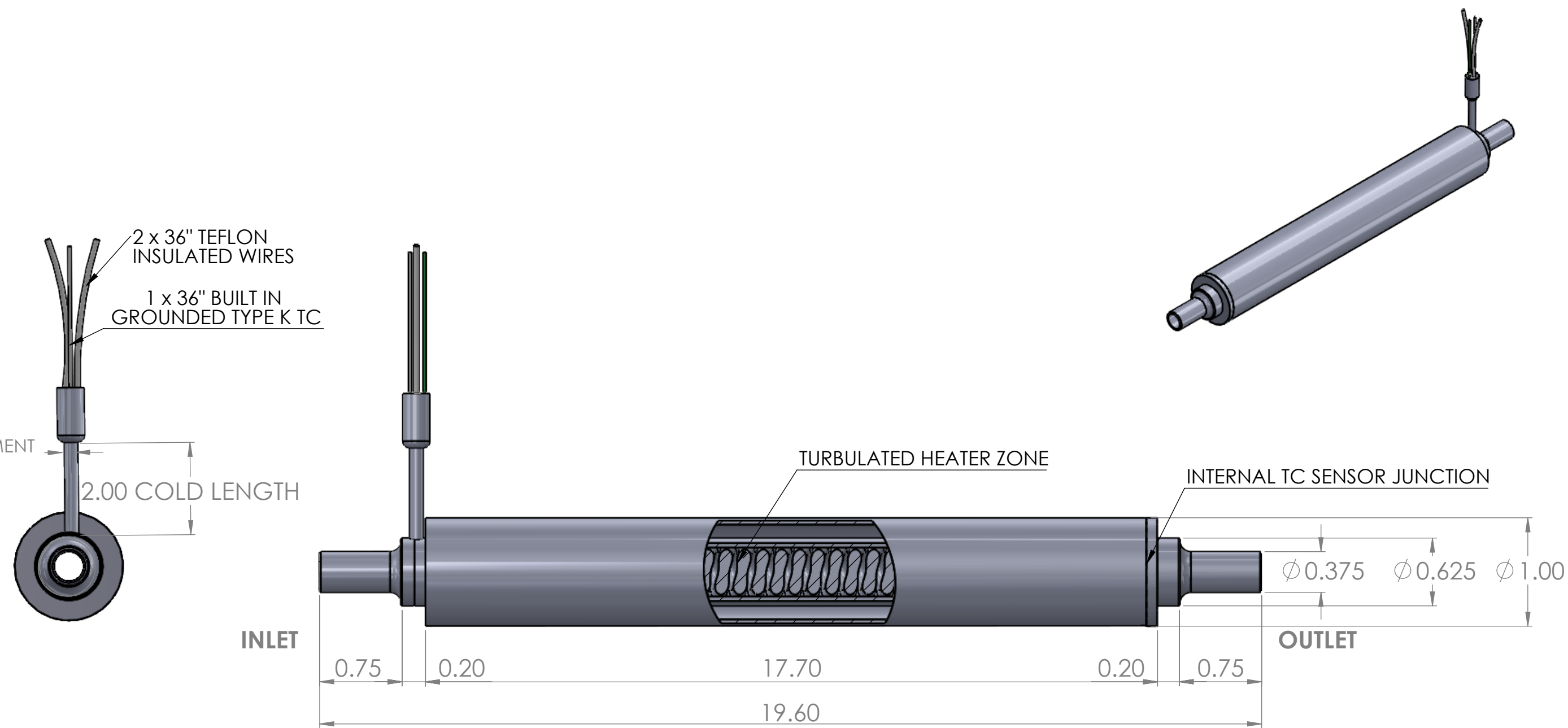
3

2

1

B

B



A

A

**NOTES**

- 1. HEATER SPECS: 185 W, 120 V
- 2. MINI K PLUG, 120 V POWER PLUG
- 3. VARIOUS WATTAGES AND VOLTAGES AVAILABLE
- 4. MULTIPLE INLET AND OUTLET OPTIONS AVAILABLE. CONTACT BCE FOR MORE INFO

UNLESS OTHERWISE SPECIFIED:  
 DIMENSIONS ARE IN INCHES  
 TOLERANCES:  
 FRACTIONAL ±1/32  
 ANGULAR: MACH ± 1.0 BEND ±2.0  
 TWO PLACE DECIMAL ±0.01  
 THREE PLACE DECIMAL ±0.005

**PROPRIETARY AND CONFIDENTIAL**  
 THE INFORMATION CONTAINED IN THIS DRAWING IS THE SOLE PROPERTY OF BELILOVE COMPANY ENGINEERS (BCE). ANY REPRODUCTION IN PART OR AS A WHOLE WITHOUT THE WRITTEN PERMISSION OF BELILOVE COMPANY ENGINEERS (BCE) IS PROHIBITED.

INTERPRET GEOMETRIC TOLERANCING PER:  
 MATERIAL 304 SS  
 FINISH N/A  
 DO NOT SCALE DRAWING



TITLE:  
**MINI CLEAN FLOW WITH TUBING**

SIZE	DWG. NO.	REV
<b>B</b>	<b>BCE10651</b>	-

SCALE:NTS	SHEET 1 OF 1
-----------	--------------

4

3

2

1