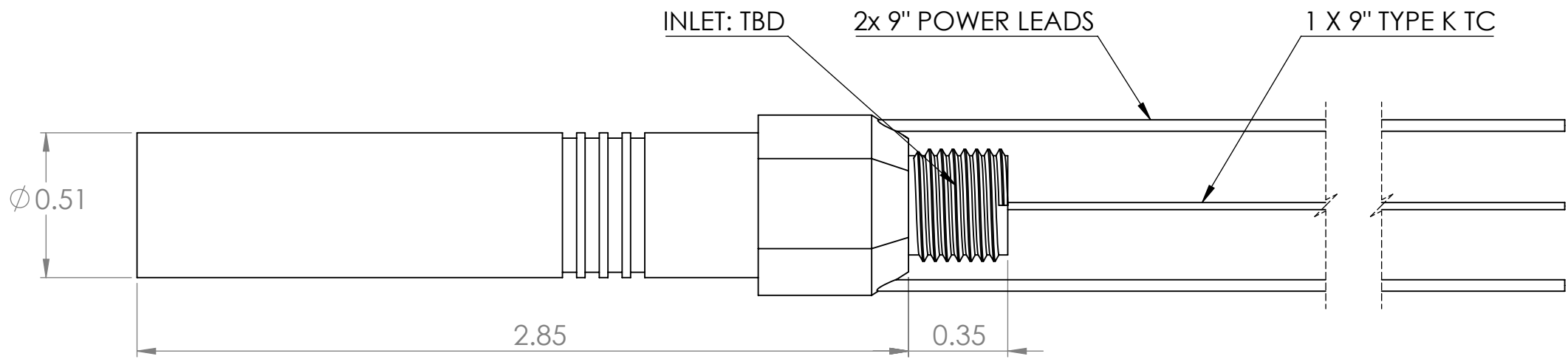
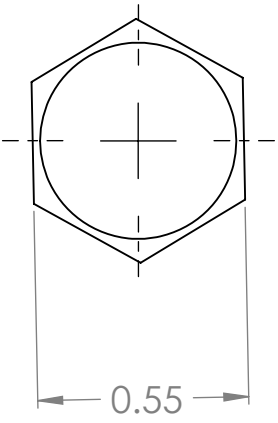
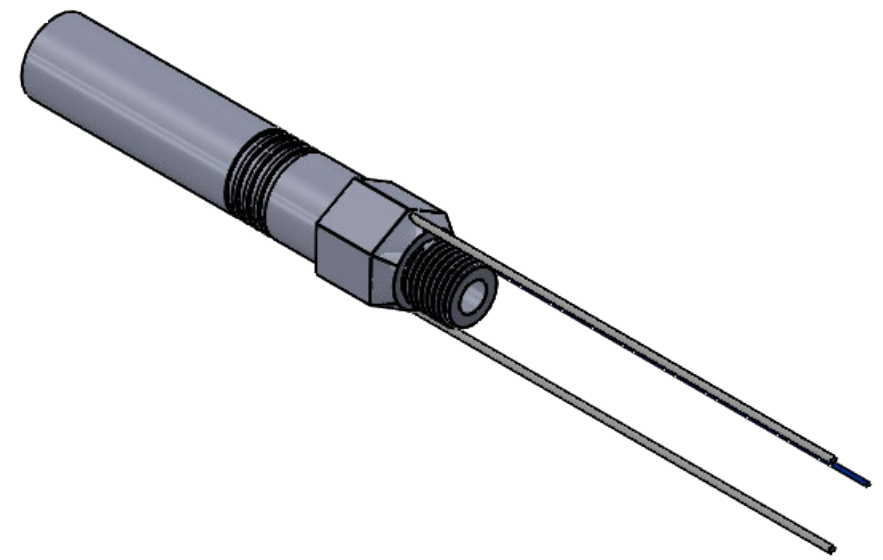


4

3

2

1



NOTES:

1. HEATER SPECS: 440 W 220 V
2. MAXIMUM TEMP:
3. SERVICE LIVE AT MAXIMUM TEMP OF (SEE BCE LIFE VS TEMP CHART)
4. FLOW RANGE: CONSULT BCE OR REVIEW APPROPRIATE CHART
5. PRESSURE: CONSULT BCE OR REVIEW APPROPRIATE CHART (B10AS SERIES)

UNLESS OTHERWISE SPECIFIED:
 DIMENSIONS ARE IN INCHES
 TOLERANCES:
 FRACTIONAL ±1/32
 ANGULAR: MACH ± 1.0 BEND ±2.0
 TWO PLACE DECIMAL ±0.01
 THREE PLACE DECIMAL ±0.005

PROPRIETARY AND CONFIDENTIAL
 THE INFORMATION CONTAINED IN THIS DRAWING IS THE SOLE PROPERTY OF BELILOVE COMPANY ENGINEERS (BCE). ANY REPRODUCTION IN PART OR AS A WHOLE WITHOUT THE WRITTEN PERMISSION OF BELILOVE COMPANY ENGINEERS (BCE) IS PROHIBITED.

INTERPRET GEOMETRIC TOLERANCING PER:
 MATERIAL SEE BOM
 FINISH N/A
 DO NOT SCALE DRAWING



TITLE:
440 W 220 V HEATER

SIZE	DWG. NO.	REV
B	BCE10737	-
SCALE: NTS		SHEET 1 OF 1

4

3

2

1

B

B

A

A