

4

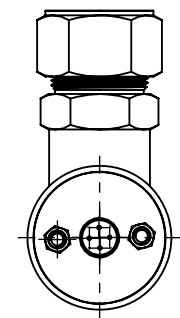
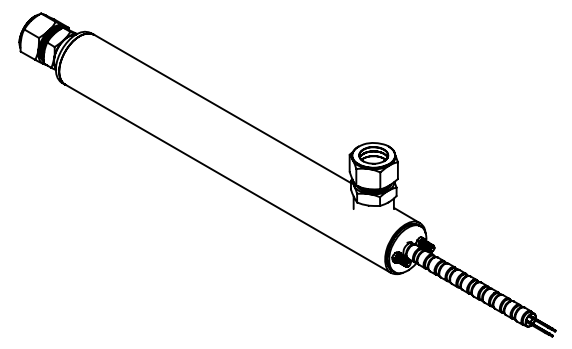
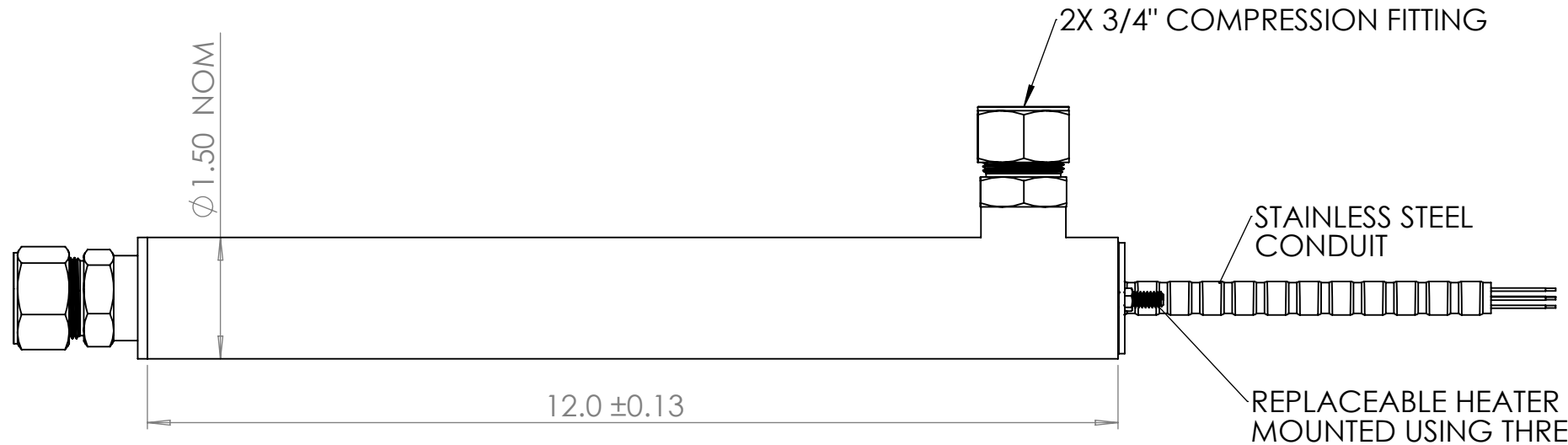
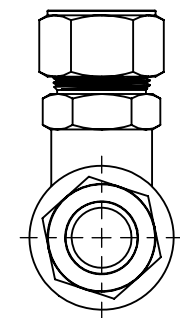
3

2

1

B

B



A

A

**NOTES:**

- 1. ALL WETTED PARTS TO BE 316L/304L STAINLESS STEEL
- 2. 400WATT, 120VOLT, HEATSOURCE BUILT-IN GROUNDED THERMOCOUPLE
- 3. BODY MUST PASS 50PSI AND HELIUM LEAK RATE OF  $1 \times 10^{-7}$  cc/sec He

**PROPRIETARY AND CONFIDENTIAL**  
 THE INFORMATION CONTAINED IN THIS DRAWING IS THE SOLE PROPERTY OF BELILOVE CO. ENGINEERS. ANY REPRODUCTION IN PART OR AS A WHOLE WITHOUT THE WRITTEN PERMISSION OF BELILOVE CO. ENGINEERS IS PROHIBITED.

UNLESS OTHERWISE SPECIFIED:		NAME	DATE
DIMENSIONS ARE IN INCHES		DRAWN	A.M
TOLERANCES:		CHECKED	
FRACTIONAL ±		ENG APPR.	
ANGULAR: MACH ±		MFG APPR.	
BEND ±		Q.A.	
TWO PLACE DECIMAL ±.020		COMMENTS:	
THREE PLACE DECIMAL ±.005		THIS DRAWING IS FOR REFERENCE ONLY.	
INTERPRET GEOMETRIC TOLERANCING PER:	MATERIAL	FINAL PRODUCT MAY DIFFER.	
	SEE DWG		
FINISH	SEE DWG		
DO NOT SCALE DRAWING			



TITLE:			
MINI CLEAN FLOW - HARSH ENVIRONMENT			
SIZE	DWG. NO.	REV	
<b>B</b>	<b>BCE11199</b>	-	
SCALE: NTS	WEIGHT: N/A	SHEET 1 OF 1	

4

3

2

1