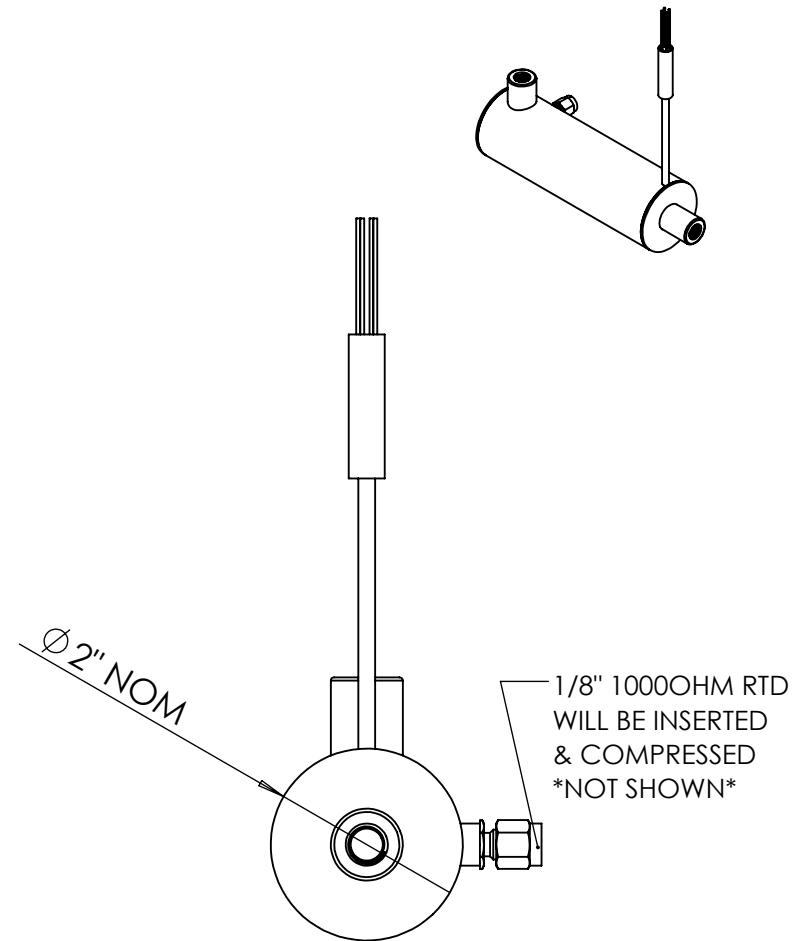
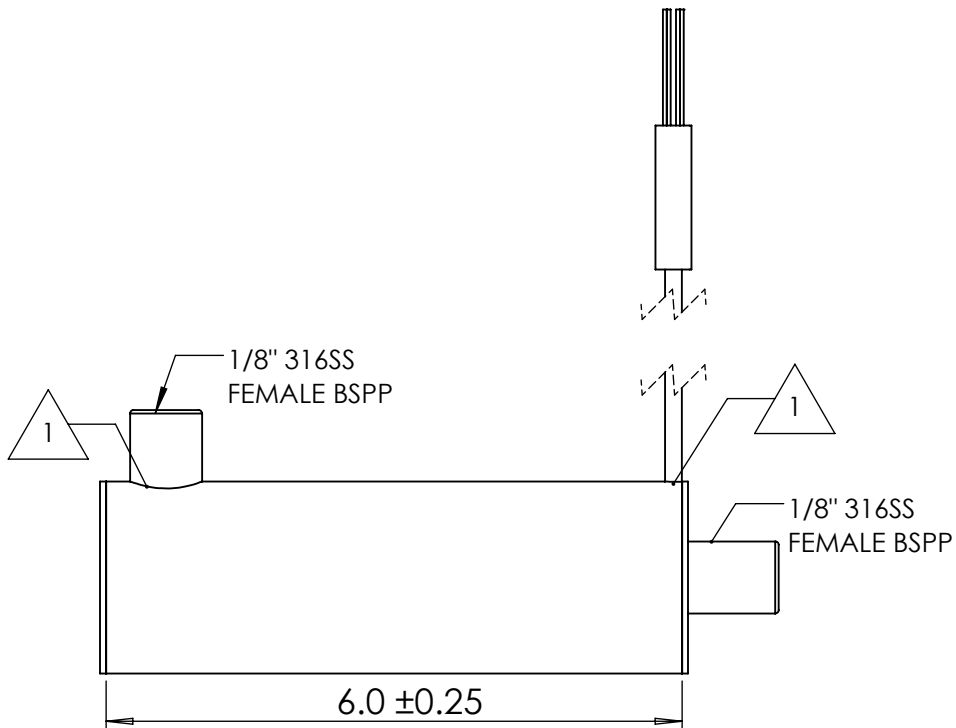


2

1

B

B



## NOTES:

1. ALL WETTED SURFACES 316 SS EXCLUDING THE 2 SEAMS NOTED. THE OUTLET BSPP WILL BE TIG WELDED & MAY NEED FILLER. THE HEATER SEAM WILL BE SILVER BRAZED
2. ELECTRICAL: 3500W(+/- 10%) 240V
3. BUILT IN TYPE K TC (GROUNDED).
4. DO NOT RUN WITHOUT PROPER MEDIUM FLOW.

The information given herein is based on data believed to be accurate, but BCE makes no expressed or implied warranties as to its accuracy and assumes no liability arising out of its use by others. This information does not constitute a license to use or infringe on any patents

**PROPRIETARY AND CONFIDENTIAL**

THE INFORMATION CONTAINED IN THIS DRAWING IS THE SOLE PROPERTY OF BELLOVE CO. ENGINEERS. ANY REPRODUCTION IN PART OR AS A WHOLE WITHOUT THE WRITTEN PERMISSION OF BELLOVE CO. ENGINEERS IS PROHIBITED.

UNLESS OTHERWISE SPECIFIED:

DIMENSIONS ARE IN INCHES  
TOLERANCES:  
FRACTIONAL ±  
ANGULAR: MACH ± BEND ±  
TWO PLACE DECIMAL ± .005  
THREE PLACE DECIMAL ± .001

INTERPRET GEOMETRIC  
TOLERANCING PER:

MATERIAL  
SEE DWG

FINISH  
N/A

DO NOT SCALE DRAWING

PART. NO.

**BCE**

TITLE:

6" BSPP  
MCF HEATER

SIZE

**A**

DWG. NO.

BCE11251

REV

-

SCALE: NTS

WEIGHT: N/A

SHEET 1 OF 1

2

1

A

A