

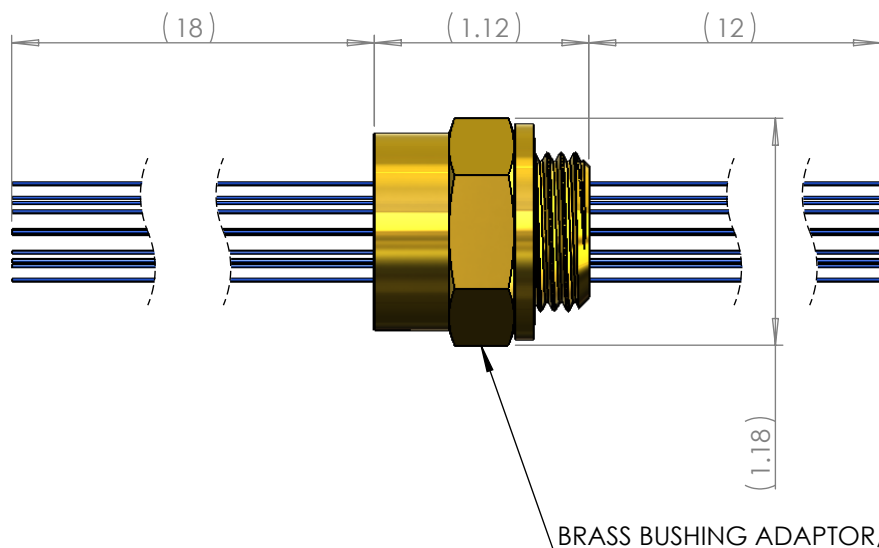
2

1

**NOVEL, COST-EFFECTIVE FEEDTHROUGH
CAN BE USED IN METHANE SENSING SYSTEMS**

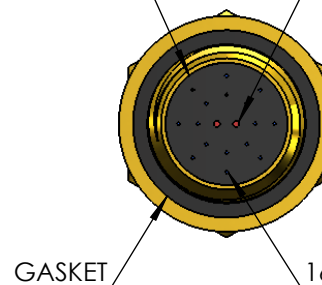
B

B



BCE BLACK EPOXY SEAL

2X 20AWG SOLID WIRE, TEFLON INS.



ATMOSPHERE SIDE

VACUUM SIDE

A

A

NOTES

1. THIS DRAWING IS FOR REF. ONLY
2. MAX OPERATING TEMP: 150°C
3. VACUUM COMPATIBLE TO 10^{-9} ATM.CC/SEC
4. BCE BLACK EPOXY MEETS NASA ASTM E595 (LOW OUTGASSING SPEC.)
5. DESIGNED FOR METHANE SENSING SYTEMS. CAN BE USED FOR OTHER APPLICATIONS.
6. ALL FEATURES AND MATERIALS CAN BE CUSTOMIZED

UNLESS OTHERWISE SPECIFIED:

DIMENSIONS ARE IN INCHES
 TOLERANCES:
 FRACTIONAL ±
 ANGULAR: MACH ± BEND ±
 TWO PLACE DECIMAL ± .010
 THREE PLACE DECIMAL ± .005

INTERPRET GEOMETRIC TOLERANCING PER:

MATERIAL SEE DWG

FINISH N/A

DO NOT SCALE DRAWING



TITLE:

**18 WIRE VACUUM
FEEDTHROUGH**

SIZE

A

DWG. NO.

BCE10259

REV

A

SCALE: NTS

WEIGHT: N/A

SHEET 1 OF 1

PROPRIETARY AND CONFIDENTIAL
 THE INFORMATION CONTAINED IN THIS DRAWING IS THE SOLE PROPERTY OF BCE INC. ANY REPRODUCTION IN PART OR AS A WHOLE WITHOUT THE WRITTEN PERMISSION OF BCE INC. IS PROHIBITED.

2

1