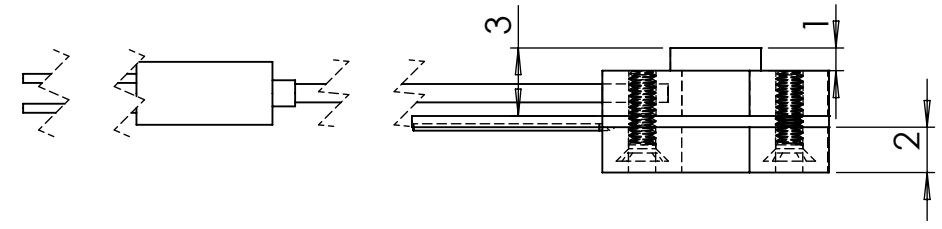
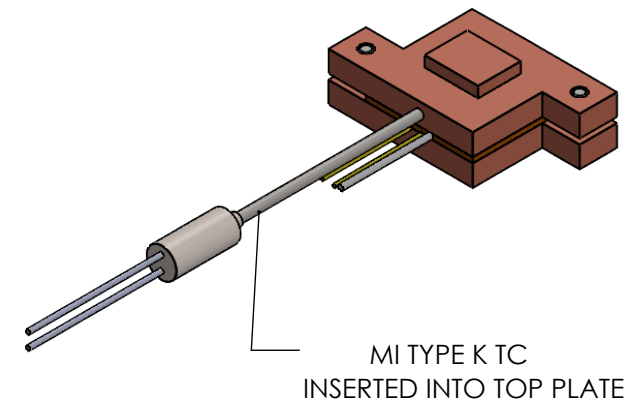
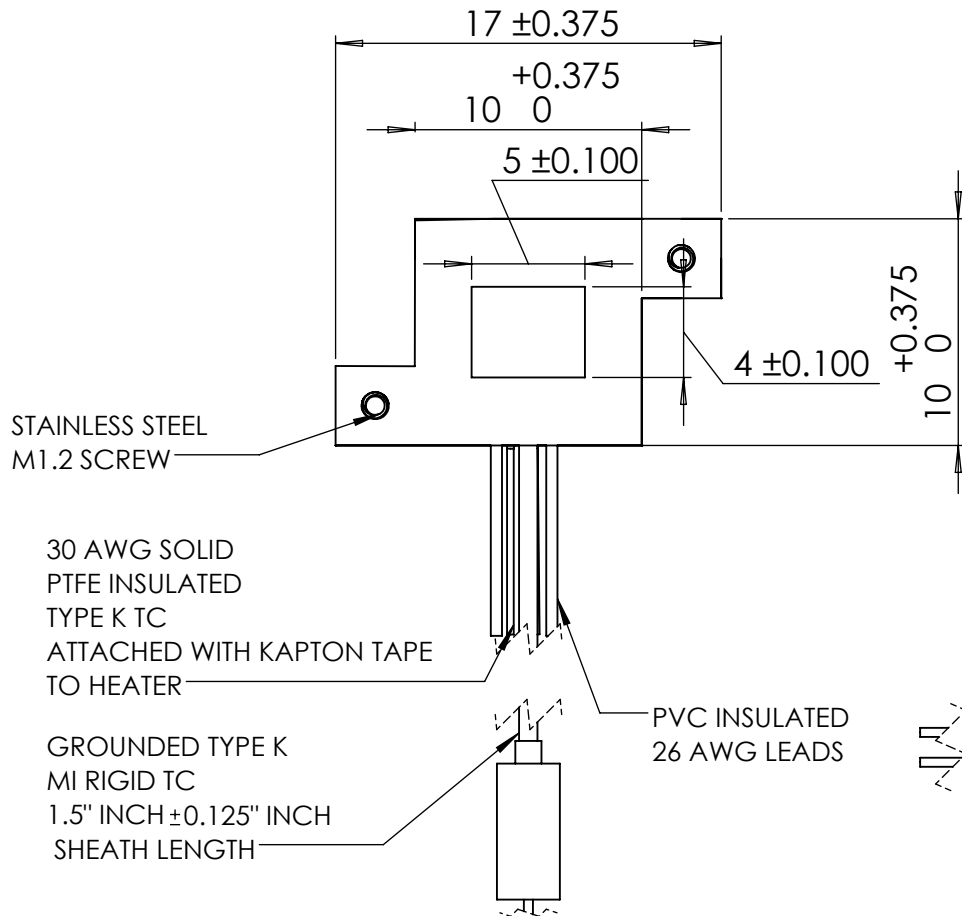


B

B



A

A

NOTES:

1. PLATE BODY MATERIAL: 65/35 MOLYBDENUM -COPPER
2. 200 °C MAX OPERATING TEMP
3. 12 VOLT/2.6 WATT (±0%) KAPTON HEATER

The information given herein is based on data believed to be accurate, but BCE makes no expressed or implied warranties as to its accuracy and assumes no liability arising out of its use by others. This information does not constitute a license to use or infringe on any patents

PROPRIETARY AND CONFIDENTIAL
THE INFORMATION CONTAINED IN THIS DRAWING IS THE SOLE PROPERTY OF BELLOVE CO. ENGINEERS. ANY REPRODUCTION IN PART OR AS A WHOLE WITHOUT THE WRITTEN PERMISSION OF BELLOVE CO. ENGINEERS IS PROHIBITED.

UNLESS OTHERWISE SPECIFIED:
DIMENSIONS ARE IN MM
TOLERANCES:
FRACTIONAL ±
ANGULAR: MACH ± BEND ±
TWO PLACE DECIMAL ±.020
THREE PLACE DECIMAL ±.008

INTERPRET GEOMETRIC TOLERANCING PER:
MATERIAL SEE DWG
FINISH N/A
DO NOT SCALE DRAWING

PART. NO. BCE	
TITLE: MOLY-COPPER STAGE HEATER	
SIZE A	DWG. NO. BCE10899
SCALE: NTS	WEIGHT: N/A
REV 4	SHEET 1 OF 1

2

1

2

1